

This is a Double Door designed Patrol Box

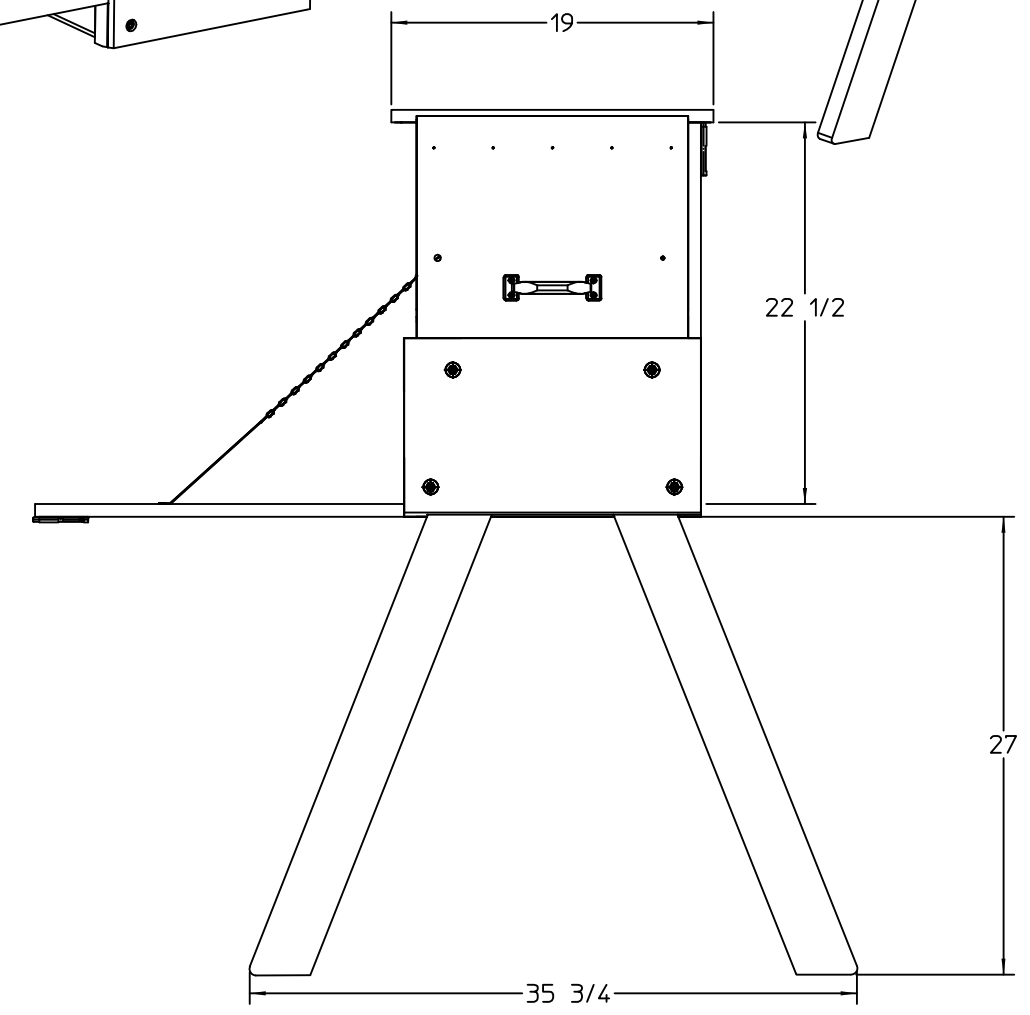
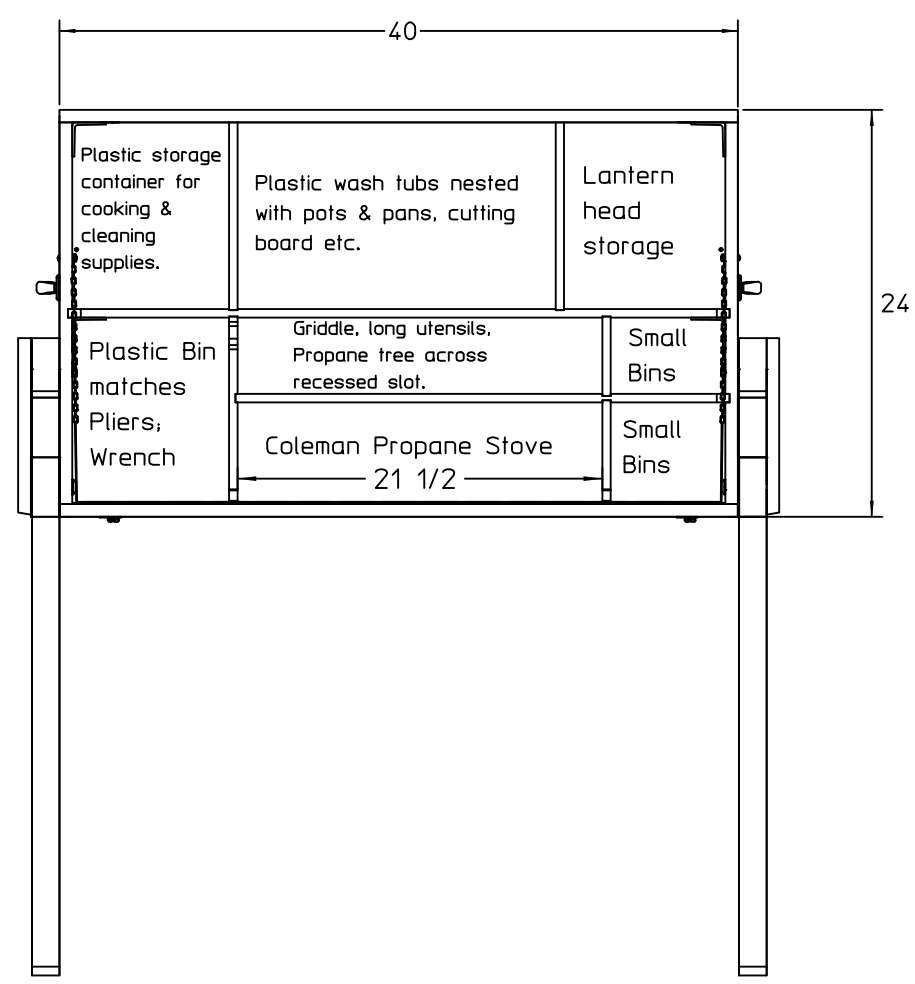
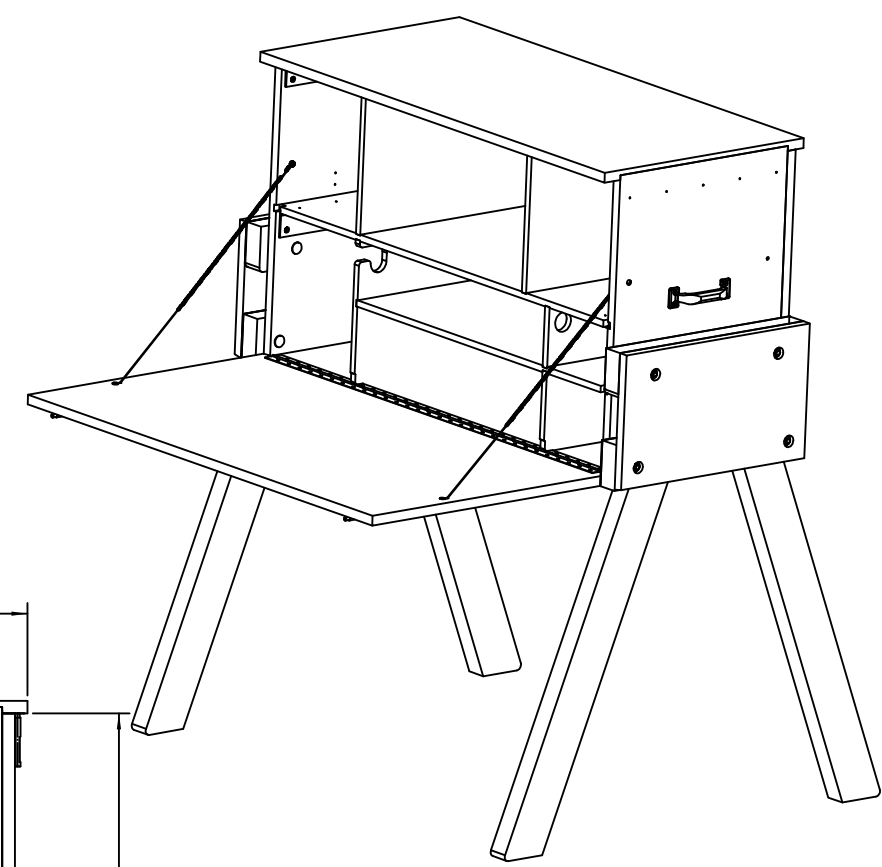
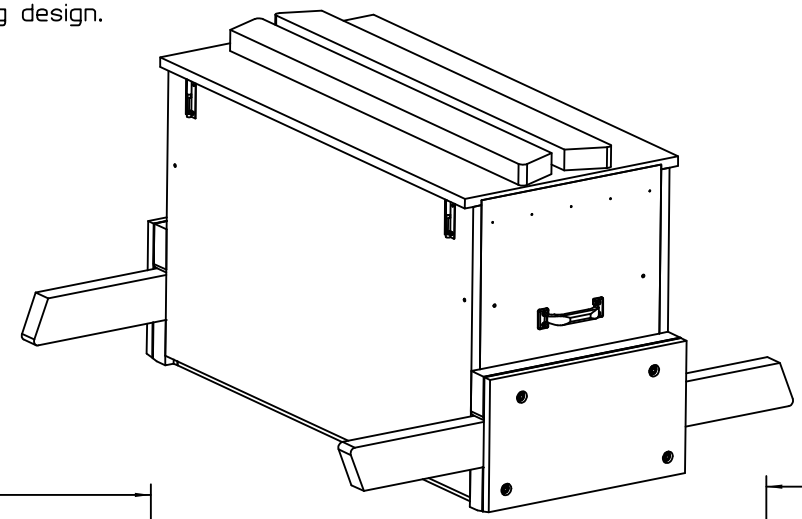
Our troop uses one side for cooking and the other for clean up. The advantage is both activities can be concurrent. We often start cleanup while cooking dessert.

This design will hold a Coleman propane stove (21" wide), 2 mantle lantern and a propane tank tree.

Our younger boys can carry a box with the pass through leg design. Box weight empty is approximately 94lbs

Designs on these pages are the specific property of Troop 679
Permission to use these to construct a patrol box for scouting
has been granted. Distribution of these plans to others is prohibited
without specific permission from Troop 679 Ramona.

SYM	REVISIONS	APPROVED	DATE
X5	Sidewall joints not defined	David Burney	08/16/03
X6	Added pages 5 and 6 defined sidewall to floor and roof joints	David Burney	09/16/03
X7	Added detail to missing lower vert.divider sht 2 & 4 Added side view to side walls sht 3.	David Burney	11/20/03
X8	Moved center space side walls out from center .25" each side. Added missing notch in shelves for chain	David Burney	11/30/07



Patrol Box Troop 679 Ramona, Ca.
"General overview"

David Burney FILE REVISED BY	11/30/2007 DATE	0,1X SCALE	1 6 SHEET OF	C SIZE	PB-TRP_679_001 DRAWING NUMBER	X8 REV.
---------------------------------	--------------------	---------------	-----------------	-----------	----------------------------------	------------